

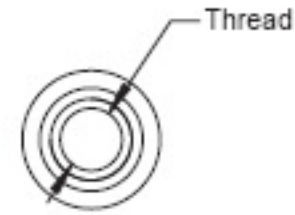
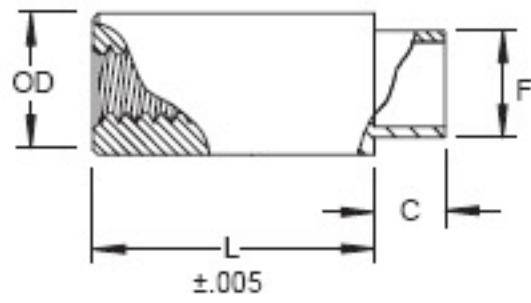
RSST - Mechanical Standoff

Round Swage Standoff
Inch

Sample Part Number

RSST5/32 - 256 x .125 - A - .126 - STL - Z

Series OD Thread Length Panel Shank Material Finish
Code Diameter



Thread	OD Outside Diameter				
	5/32	3/16	1/4	5/16	3/8
2 - 56					
4 - 40					
6 - 32					
8 - 32					
10 - 32					

Custom sizes available.

F Shank Diameter +.000/-0.003	OD Outside Diameter				
	5/32	3/16	1/4	5/16	3/8
.126					
.139					
.145					
.168					
.209					
.234					

Panel Thickness	C Shank Length ±.003	Panel Code
1/32	.075	A
1/16	.105	B
3/32	.135	C
1/8	.165	D

L Length
.125
.167
.250
.312
.375
.437
.500
.562
.625
.678
.750
.812
.875
.937
1.000
1.125
1.187
1.312
1.376
1.312
1.437
1.500
1.582
1.625
1.687
1.750
1.812
1.875
1.937
2.000

Material	Description
STL	Carbon Steel
SS	300 Series Stainless Steel
AL	Aluminum
BR	Brass

Finish	Description
Z	Zinc - Clear Chromate
Z-BLK	Zinc - Black Chromate
Z-YEL	Zinc - Yellow Chromate
NI	Nickel
BLK-OX	Blk Oxide
ALOD	Alodine
ALOD-GOLD	Alodine Gold
P	Passivate
PLN	Plain
TIN	Tin (Soldering)

Custom finishes available.

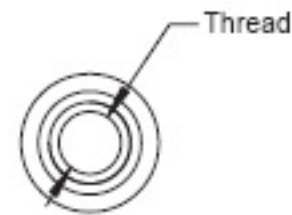
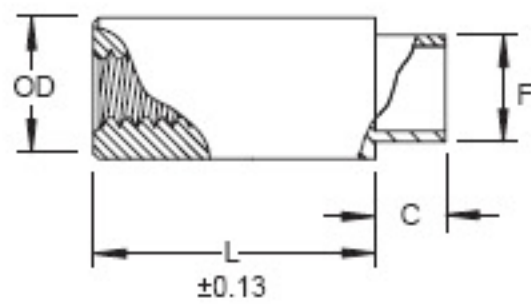
RSST - Mechanical Standoff

Round Swage Standoff
Metric

Sample Part Number

RSST4.5 - M2.5 x 13 - A - STL - Z

Series OD Thread Length Panel Shank Material Finish
Code Diameter



Thread	OD Outside Diameter			
	4.5	6	8	10
M2.0 x 0.4				
M2.5 x 0.45				
M3.0 x 0.5				
M3.5 x 0.6				
M4.0 x 0.7				
M5.0 x 0.8				

Custom sizes available.

Panel Thickness	C Shank Length ±.08	Panel Code	F Shank Diameter +.00/-0.08
.8	1.9	A	4.5 - 3.53
1.6	2.7	B	6 - 4.78
2.4	3.4	C	8 - 5.94
3.2	3.2	D	10 - 5.94

L Length
3
4
5
6
8
10
11
12
13
14
16
19
20
22
25

Material	Description
STL	Carbon Steel
SS	300 Series Stainless Steel
AL	Aluminum
BR	Brass

Finish	Description
Z	Zinc - Clear Chromate
Z-BLK	Zinc - Black Chromate
Z-YEL	Zinc - Yellow Chromate
NI	Nickel
BLK-OX	Blk Oxide
ALOD	Alodine
ALOD-GOLD	Alodine Gold
P	Passivate
PLN	Plain
TIN	Tin (Soldering)

Custom finishes available.