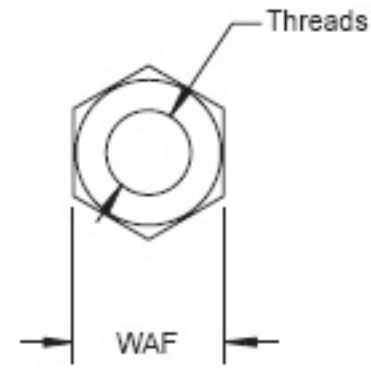
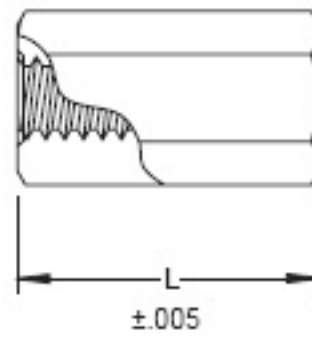


# HST - Mechanical Standoff

Hex Standoff  
Inch

Sample Part Number

HST1/8 - 256 x .125 - STL - Z  
Series WAF Thread Length Material Finish



Thread	WAF Width Across Flats					
	1/8	3/16	1/4	5/16	3/8	1/2
2 - 56						
4 - 40						
6 - 32						
8 - 32						
10 - 32						
12 - 24						
1/4 - 20						

Custom sizes available.

L Length
.125
.167
.250
.312
.375
.437
.500
.562
.625
.678
.750
.812
.875
.937
1.000
1.125
1.187
1.312
1.376
1.312
1.437
1.500
1.582
1.625
1.687
1.750
1.812
1.875
1.937
2.000

Material	Description
STL	Carbon Steel
SS	300 Series Stainless Steel
AL	Aluminum
BRS	Brass
NYV2	Nylon VL94 V-2
NYVO	Nylon VL94 V-D

Finish	Description
Z	Zinc - Clear Chromate
Z-BLK	Zinc - Black Chromate
Z-YEL	Zinc - Yellow Chromate
NI	Nickel
BLK-OX	Blk Oxide
ALOD	Alodine
ALOD-GOLD	Alodine Gold
P	Passivate
PLN	Plain
TIN	Tin (Soldering)

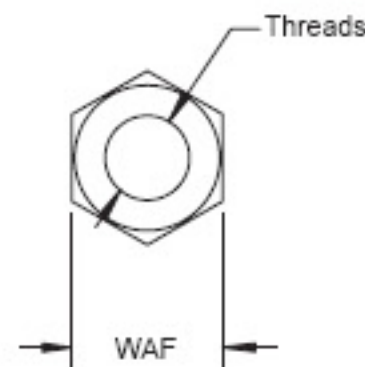
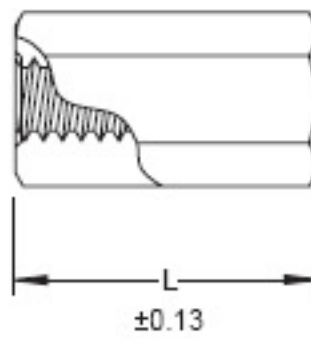
Custom finishes available.

# HST - Mechanical Standoff

Hex Standoff  
Metric

Sample Part Number

HST4.5 - M2.5 x 25 - STL - Z  
Series WAF Thread Length Material Finish



Thread	WAF Width Across Flats				
	4.5	6	8	10	13
M2.5 x 0.45					
M3.0 x 0.5					
M3.5 x 0.6					
M4.0 x 0.7					
M5.0 x 0.8					
M6.0 x 1.0					

Custom sizes available.

L Length
3
4
6
8
10
11
12
13
14
16
19
20
22
25

Material	Description
STL	Carbon Steel
SS	300 Series Stainless Steel
AL	Aluminum
BRS	Brass
NYV2	Nylon VL94 V-2
NYVO	Nylon VL94 V-D

Finish	Description
Z	Zinc - Clear Chromate
Z-BLK	Zinc - Black Chromate
Z-YEL	Zinc - Yellow Chromate
NI	Nickel
BLK-OX	Blk Oxide
ALOD	Alodine
ALOD-GOLD	Alodine Gold
P	Passivate
PLN	Plain
TIN	Tin (Soldering)

Custom finishes available.