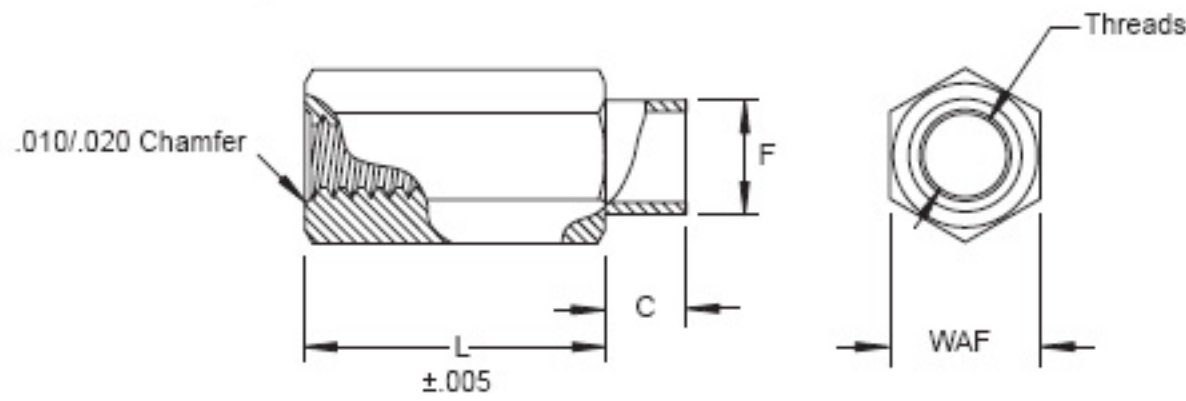


# HSST - Mechanical Standoff

Hex Swage Standoff  
Inch

Sample Part Number

RSST3/16 - 256 x .125 - A - STL - Z  
Series WAF Thread Length Panel Material Finish  
Code



Thread	WAF Width Across Flats				
	5/32	3/16	1/4	5/16	3/8
2-56					
3-48					
4-40					
6-32					
8-32					

Custom sizes available.

F Shank Diameter +.000 -.003	F Shank Diameter				
	5/32	3/16	1/4	5/16	3/8
.126					
.139					
.145					
.188					
.209					
.234					

Panel Thickness	C Shank Length ±.003	Panel Code
1/32	.075	A
1/16	.105	B
3/32	.135	C
1/8	.165	D

L Length
.125
.167
.250
.312
.375
.437
.500
.562
.625
.678
.750
.812
.875
.937
1.000
1.125
1.187
1.312
1.376
1.312
1.437
1.500
1.582
1.625
1.687
1.750
1.812
1.875
1.937
2.000

Material	Description
STL	Carbon Steel
SS	300 Series Stainless Steel
AL	Aluminum
BR	Brass

Finish	Description
Z	Zinc - Clear Chromate
Z-BLK	Zinc - Black Chromate
Z-YEL	Zinc - Yellow Chromate
NI	Nickel
BLK-OX	Blk Oxide
ALOD	Alodine
ALOD-GOLD	Alodine Gold
P	Passivate
PLN	Plain
TIN	Tin (Soldering)

Custom finishes available.